



Instruction Booklet 使用說明



USB RECHARGEABLE MINI CURLER 可充電便攜式捲髮器

VSU-0320BH

VS USB 可充電便攜式捲髮器

重要安全須知

當使用電器時，尤其有小童在場，應小心及遵守以下安全指示：

使用前請細閱使用說明 電器應遠離水源

安全預防措施

警告：包裝或產品上使用的膠袋可能有危險，請擺放在嬰兒及兒童拿不到的位置。請勿於嬰兒床、睡床、嬰兒車或兒童遊樂園內使用。膠袋的薄層可能會堵塞鼻子及口腔，阻礙呼吸。此膠袋不是玩具。

警告：不要在盛水的浴缸、淋浴缸、洗臉盆或其他器皿附近使用本器具。



以上符號表示“不要在盛水的浴缸、淋浴或其它器皿中使用本器具”

- 本產品帶有電子加熱功能，不適合讓身體、感官或精神能力有缺陷或缺乏使用電器經驗與常識的人（包括兒童）單獨使用，而應由有經驗及常識之監管人監察及指導下使用此產品。
- 本產品帶有電子加熱功能，不使用時須放置在兒童不易觸及處，在使用和冷卻的過程中須避免兒童觸碰及玩耍。
- 本產品的包裝膠袋應存放於嬰兒與兒童無法觸及的地方。
- 本產品並不防水，因此請勿於浴室或其他潮濕環境等有可能令其輕易被沾濕的地方使用。
- 萬一有液體滲入本產品內，應立即寄送給生產商的維修部門或專業維修員修理。
- 請僅將本產品用於指定的用途。
- 請使用由合格製造商生產，能夠提供額定充電電壓和電流的充電器來為本產品充電。
- 請使用由合格製造商生產，能夠承受最少 1A 充電電流的充電線來為本產品充電。
- 請勿在易燃或易爆物料旁邊使用本產品，否則有可能導致起火或爆炸。
- 本產品充電期間，必須有人從旁監察，並須於充電完畢後立即拔除充電器。
- 請勿拉扯充電線來移除充電器。
- 切忌使用由其他生產商製造，而本產品生產商並無推薦使用的配件或零件。倘本產品因此類配件或零件而損壞，本公司將不提供任何保養服務。
- 使用本產品時或冷卻期間，請勿將其放置於不可加熱的地方上。
- 儘量避免直接觸摸本產品的發熱面，尤其應避免讓眼睛、耳朵、面部和頸部觸及。
- 請勿將金屬物品放進本產品內，以免觸電。
- 為防止充電線損壞，使用完畢後請勿以充電線纏繞本產品。
- 收起本產品前，確保已經徹底冷卻。
- 以正確的溫度和恰當的時間將本產品用於頭髮，因為溫度過高和時間過長有可能令頭髮受損。

- 首次使用本產品時，有可能出現輕微的燒焦氣味或少量煙霧，此現象是由旋轉裝置內部的潤滑油加熱造成，一段時間後便會消失。此乃正常現象，請放心使用。
- 加熱功率因應電池狀態而有異。
- 使用本產品時，倘設定指示燈和電源指示燈輪流快速閃爍，代表溫度感應探頭失靈。應將本產品寄給生產商的維修部門或合資格的維修代理商修理。

認識您的可充電便攜式捲髮器



- 陶瓷塗層捲筒
- 充電用的 Micro USB 充電埠
- 溫度設定指示燈（綠色：160°C，紅色：180°C）
- 電池指示燈（充電中：閃爍/充滿電：綠燈長亮）
- 60 秒快速升溫
- 沒使用 15 分鐘後自動關閉
- 在不接電線的情況下最長可運作 30 分鐘*
- *視乎頭髮類型和長度而定

注意：本公司致力於確保本說明書所載的資訊皆為準確無誤，但鑑於產品不斷改進和升級，本公司保留更改本說明書的權利，而所有資訊倘有變更，恕不另行通知。

使用說明

為達至最佳效果，請在使用前把本產品充滿電；請確保每次充電時間不少於 4 小時。
為達至最佳效果，使用本產品前，請確保您已了解所有和使用相關的注意事項；

- 開啟電源：**在電源關閉的情況下，長按「電源/設定按鈕」大約 2 秒。設定指示燈會亮起綠燈，捲髮器開始發熱（電池指示燈亦會同時亮起）。電池指示燈顏色：綠燈代表電量充足，橙燈代表尚有一半電量，紅燈代表電量低）。



- 關閉電源：**在電源開啟的情況下，長按「電源/設定按鈕」大約 2 秒，指示燈會熄滅，所有輸出功能停止。
- 設定模式：**在電源開啟的情況下，按一下「電源/設定按鈕」可以切換為 160°C 低溫（設定指示燈為綠色）或 180°C 高溫設定（設定指示燈為紅色）。
- 預熱升溫：**設定指示燈由閃爍變為長期亮起，代表捲髮器已達至指定的溫度，隨時可供使用。

注意：使用後，請確保本產品已關閉電源和完全冷卻，然後才將其收起，否則有可能導致燙傷。

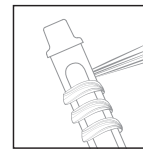
注意：由於本產品可以無線充電，倘把此產品放進布袋或行李箱內，有可能會誤觸電源按鈕，令本產品啟動並開始加熱，進而造成燙傷甚至是起火。因此請確保收存本產品時有妥善保護、保存和攜帶，以避免任何因誤觸電源按鈕而引致的風險。

捲髮說明

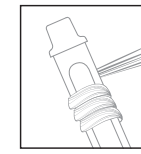
- 首先捲起的髮段應為 1/2 吋寬。
 - 打開捲髮夾，把靠近頭皮的頭髮放於捲筒上並捲起頭髮。
 - 到了髮尾後鬆開把手，讓髮段滑出。
 - 在其他髮段上重覆此步驟，直至達至心目中的髮型。某些髮段可能需要反覆進行此動作，視乎髮質而定。
- 需要多用幾次累積經驗，才能把握如何活用本捲髮器。用過本捲髮器數次後，您便能學會捲曲頭髮和塑造髮型的最佳方法

髮型貼士

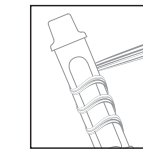
最適合用於短髮至中長髮。



如要營造鬆帶捲髮造型，捲曲頭髮時，髮段之間相距較遠，每段頭髮較寬。



如要營造蓬鬆捲髮造型，捲曲頭髮時，髮段之間相距較近，每段頭髮較寬。



如要營造具質感的波浪捲，捲曲頭髮時，髮段之間相距較小，每次應捲曲較小的頭髮。

注意：出於安全理由，不使用 15 分鐘後，本產品會自動關閉。如需再次使用，請再次開啟電源。

注意！必須在理順頭髮後使用，如在頭髮打結或粘結的情況下使用，將影響使用時的體驗。

超滑順陶瓷造型器

USB 可充電便攜式捲髮器配備超滑順的陶瓷面板。此為最新科技。不但方便在每次使用後清除造型產品殘留物質，頭髮還可以毫不費力地順利滑過陶瓷塗層製的捲髮筒。陶瓷面板亦有助撫平凌亂和毛躁的髮絲，令頭髮更添光澤。造型器能均勻分散熱力，讓您創造出媲美髮廊水準的絲滑光亮秀髮。陶瓷科技令頭髮造型更見容易，為您帶來專業級效果。

充電須知

為達至最佳效果，請在使用前把本產品充滿電；請確保每次充電時間不少於 4 小時。
若要長期使用本產品，請在使用前把電池充滿電，然後每三個月充電一次，以讓本產品維持最佳狀態。
受鋰電池本身的特性所限，反覆使用後電容量下降是正常現象。為了完全發揮鋰電池的性能，建議充電時的環境溫度為 5°C-40°C。當環境溫度超出上述溫度範圍，本產品的充電功能可能會停用。若充電時出現異常情況，請先檢查環境溫度是否處於建議範圍內。

- 本產品充電時，電池指示燈會閃爍，反映出當時的電量（綠燈代表電量充足，橙燈代表尚有一半電量，紅燈代表電量低）。
- 若本產品充電完畢後仍然連接著充電器，電池指示燈會長期亮起綠燈。
- 拔除充電線後，指示燈隨之熄滅。
- 連接至充電器時，本產品的其他功能會暫時關閉和上鎖，並且無法開啟。

保護和錯誤提示

- 電量過低保護：**倘您使用本產品期間，系統偵測到電量低於預設的保護值，為保護電池免於放電過度，指示燈會閃爍 5 次後熄滅，然後本產品會自動關閉。
- 自動關閉：**出於安全理由，不使用 15 分鐘後，本產品會自動關閉。如需再次使用，請再次開啟電源。
- 感應器失靈：**在電源開啟的情況下，在使用本產品時，倘設定指示燈和電源指示燈輪流快速閃爍，代表系統偵測到溫度感應器失靈，需要儘快修理本產品。

清潔和保養

- 請確保本產品完全冷卻後，才進行清潔和保養。
- 切忌以洗碗碟機或洗衣機清洗本產品。
- 本產品並不防水。清潔期間，應小心不讓水分或其他液體透過空隙或界面進入本產品，否則有可能造成短路或失靈。
- 切忌使用尖銳的工具或任何含有腐蝕性或揮發性稀釋劑的清潔劑清洗。
- 用柔軟的濕布（沾少量非刺激性、非揮發性、不易燃的清潔劑）清潔和擦拭本產品，然後用柔軟的乾布擦乾。

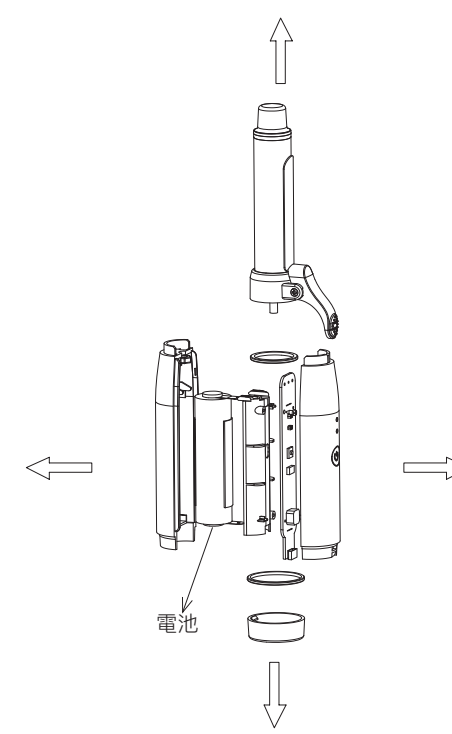
環境保護

本產品配備內置電池，充電內含的物料可能對環境有害。請先移除電池，然後才棄置本產品。
應先截斷電源供應，然後才拆除本產品和移除電池。
必須謹慎處理電池。
切忌使用其他電池取代本產品內的電池，尤其是非充電式的電池。

池，否則有可能導致起火或觸電。

- 請勿把用過的電池與一般的家居廢物一同丟棄，應確保將電池丟棄至正式的回收中心或收集點。

請依照圖示移除電池。



警告：根據日本航空法，乘客嚴禁攜帶內置鋰電池或鋰離子電池的可攜式電子裝置登機（手提/寄倉行李）。

收存

無須使用時，本產品非常便於收藏。待本產品完全冷卻後，將其保存於兒童無法觸及的安全清爽地點。
在放入收納袋前，請確保本產品完全冷卻。

兩年保養期限

在您的購買日期起兩年內，並在正常情況下，如產品的品質或零件有任何不妥之處，沙宣顧客服務中心將會為您免費提供維修或換貨服務。如需獲得此保用服務，只需保留正本收據，倘若產品於保用期內有任何問題，可蒞臨您所在地區的顧客服務中心處理。注意：是項保養不包括一切因錯誤使用、不依指示處理產品及意外損毀、遺失零件及經自行改造的產品。

保用期之後

請致電使用說明中所列出的您所在地區的沙宣顧客服務中心，諮詢維修服務詳情，或是電郵至 email_asia@conair.com，附上您的名字，電話號碼和電郵地址，還有產品不妥善之詳情。

如欲了解更多，請登入



通過此二維碼也可獲取電子說明書

VS SASSOON SERVICE CENTRE

Manufacturer: Continental Conair Limited
Address: 35/F., Standard Chartered Tower, Millennium City, 388 Kwun Tong Road, Kwun Tong, Kowloon, Hong Kong.
Tel: (852) 2751 4604

沙宣顧客服務中心

製造商：美康雅有限公司
地址：香港九龍觀塘觀塘道388號創紀之城渣打中心35樓
電話：(852) 2751 4604

www.toolsofsassoon.com

DISTRIBUTED BY:

經銷商:

Philippines 菲律賓
Rustan Marketing Corporation
3rd Floor, 403 Midland Building,
Senator Gil Puyat Ave., Makati City, Philippines
Tel: (632) 890 9703 Fax: (632) 890 4838

Malaysia 馬來西亞
Innovest Marketing Sdn. Bhd.
Lot 2208, Jalan Kusta, Kampung Jaya Industrial Area,
47000 Sungai Buloh, Selangor D.E., Malaysia
Tel: 603 6141 3598

Singapore 新加坡
Massmark International Pte Ltd
80 Genting Lane #08-01/05
("Drive in through 35 Tannery Road")
Ruby Industrial Complex, Genting Block
Singapore 349565
Tel: 65-6747 1102 Fax: 65-6747 8997

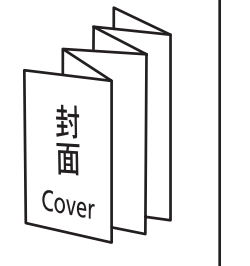
Indonesia 印尼
PT. Autoaccindo Jaya
JL.Cideng Barat No.7,
Jakarta 10140, Indonesia
Phone: + 6221 6332730
Fax: + 6221 6322886

Certain trademarks used under license from The Procter & Gamble Company or its affiliates.
維達沙宣及其有關標誌乃寶潔有限公司擁有，授權予美商美康雅公司及其關係企業使用。

CONTINENTAL CONAIR LIMITED CHINA CREATIVE DEPARTMENT

| | |
|---------------|------------------------------------|
| Date | 3/22/2021 |
| Customer | VS-Korea |
| Model No. | VSU-0320BH |
| Description | IB |
| Job No. | |
| Reference No. | IB-20/169A |
| Revision No. | 0 |
| Color | 1C+1C(Black) |
| Open Size | 736mm(W) X 214mm(H) |
| Folded Size | 92mm(W) X 214mm(H) |
| Material | 80gsm Artpaper |
| Prepared by | Betty Bai |
| Approved by | Ken Xiong/ Johnny Xu / Steven Chan |
| Designer | |
| Vendor | XIJIA |
| Supplier | |

折疊方法
Folding method:
12 pages (6 x 2)



VS USB RECHARGEABLE MINI CURLER

IMPORTANT SAFETY INSTRUCTIONS

When using electrical appliances, especially when children are present, basic safety precautions should always be followed, including the following:

READ ALL INSTRUCTIONS BEFORE USING KEEP AWAY FROM WATER

SAFETY PRECAUTIONS

WARNING: The polyethylene bags over the product or its packaging may be dangerous. Keep these bags out of the reach of babies and children. Never use them in cribs, children's beds, pushchairs or playpens. The thin film may cling to the nose and mouth and prevent breathing. A bag is not a toy.



WARNING: Do not use this appliance near bathtubs, showers, basins or other vessels containing water.



The above symbol means "Do not use this device in a bathtub, shower or water-filled reservoir"

- The product has an electric heating function, so it is not suitable for people (including children) with mental disorders, no awareness of safe behavior or physical and cognitive disabilities, unless he/she uses the product under the supervision or guidance by his/her guardian.
- This product has an electric heating function, so it should be kept out of reach of children when not in use, and children should be prevented from touching and playing it during using and cooling of it.
- The plastic packing bag of the product should be placed out of reach of infants and children.
- This product is non-watertight, so do not use it in the bathroom or other humid environment where water may easily enter.
- When liquid enters into the product, it shall be sent to the manufacturer's maintenance department or professional maintenance personnel for repair.
- Please use the product for the specified purpose.
- Please charge the product with a charger produced by a qualified manufacturer that can provide the rated charging voltage and current.
- Please charge the product with a charging cable produced by a qualified manufacturer that can withstand a charging current of 1A or above.
- Do not use the product near flammable or explosive materials, as this may result in fire or explosion.
- When the product is being charged, do not leave it unattended, and remove the charger immediately after it is completed

- Do not remove the charger by pulling the charging cable.
- Never use accessories or parts manufactured by other manufacturers that are not recommended by the manufacturer of the product. If the product is damaged by such accessories or parts, the Company does not provide warranty service.
- Do not place the product on surfaces that cannot be heated during use or cooling.
- Try to avoid direct contact with the hot surface of the product, especially for eyes, ears, face and neck.
- Do not insert metal objects into the product to avoid electric shock.
- Do not wrap the charging cable around the product after use, which may damage the charging cable.
- Make sure the product is sufficiently cooled before storing it away.
- Apply the product to the hair at right temperature and within appropriate duration, as excessive temperature and duration may cause hair damage.
- When using the product for the first time, there may be a slight burnt smell or a little smoke, which is caused by the heated grease inside the rotating mechanism, and will disappear after a period of time. This is normal, so please rest assured to use it.
- The heating rate varies according to the battery status.
- When the product is in use, if the setting indicator and battery indicator flash quickly in turn. The temperature sensing probe fails. The product should be sent to the manufacturer's maintenance department or a qualified professional maintenance agency for repair.

GET TO KNOW YOUR RECHARGEABLE MINI CURLER



- Ceramic-coated barrel
- Micro USB for charging
- Temp. setting indicator (Green: 160°C, Red: 180°C)
- Battery indicator (Charging: Blinking/ Full-charged: Solid Green)
- 60-second heat-up
- Auto off after 15mins if no operation
- Up to 30-minutes of cord-free run-time*
*Depending on hair type and length

Note: This manual has tried to ensure the accuracy and preciseness of the information provided, but in view of the continuous improvement and upgrade of the product, the Company reserves the right to change this manual and all information is subject to change without prior notice.

INSTRUCTIONS FOR USE

Before using, please fully charge the product to have the best experience; please make sure the charging time for each time is no less than 4 hours.
Before using the product, please make sure you understand all precautions for use to get the best experience;

- Power on:** Press and hold the "Power/Setting Button" for about 2 seconds in the power-off state. The setting indicator light flashes green and the curler starts to heat up (the battery indicator lights up at the same time. The battery indicator color: the green light indicates sufficient power, the orange light indicates medium power, and the red light indicates low power).



- Power off:** In the power-on state, press and hold the "Power/Setting Button" for about 2 seconds, the indicator light will go out and all outputs will stop working.
- Setting mode:** In the power-on state, short press the "Power/Setting Button" to switch between the low temperature level of 160°C (the setting indicator light is green) and the high temperature setting of 180°C (the setting indicator light is red).
- Preheating for temperature rise:** The setting indicator light changes from flashing to constant on, indicating that the curler has reached the preset temperature and is ready for use.

Note: After using, please make sure product is power off and cool completely before storage or will cause a burn.

Note: As this product is cordless rechargeable, so if you put it into bag or luggage, the power button may be touched by wrong operation which product will be turned on and start to heating,

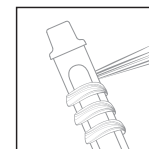
thus will cause burn or fire. So please make sure the product will be protected, stored and carried very carefully for storage to avoid any risk caused by wrong touch on power button.

TO CURL HAIR

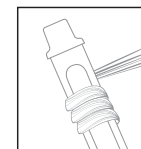
- Start curling with a hair section that is 1/2 inch wide.
 - Open the spoon and place a hair section on the barrel, rolling it up close to the scalp.
 - At the end of hair section, release the pressure on the handle and allow the hair section to slide out.
 - Repeat process on additional sections of hair until you achieve the hairstyle you desire. It may be necessary to repeat process on certain areas, depending on the texture of your hair.
- Some experience is necessary when learning to use this curling iron. After using the curling iron several times, you will learn the ideal way to curl and style your hair.

STYLE TIPS

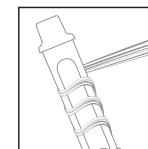
Best to use on short-to-medium length hair.



To create ribbon curls, wrap wide sections of hair far apart.



To create bouncy curls, wrap wide sections of hair close together.



To create textured waves, wrap small sections of hair far apart.

Note: If no operation after power on 15 minutes, product will auto off for safety. If need to use again, please power on again.

Note: Use it only after the hair has been smoothed out. Using it in the case of knotted or bonded hair may affect the straightening effect.

THE CERAMIC EASY-GLIDE STYLER

The USB rechargeable mini curler has a ceramic easy-glide surface. This is the newest technology. It not only makes it simpler to clean off styling product residue, etc., after each use, but you'll find that hair glides easily over the surface of the ceramic-coated barrel. The ceramic surface also helps smooth down flyaways and frizzies for added shine.

The styler evenly distributes heat so that the style you create has a salon-perfect, silky smooth, shiny finish. Ceramic technology makes styling hair easier, and gives you professional results.

CHARGING INSTRUCTIONS

Before using, please fully charge the product to have the best experience; please make sure the charging time for each time is no less than 4 hours.

If you intend not to use the product for a long time, please fully

charge its battery at first and then charge once every three months to make the product in the best condition.

Due to the inherent characteristics of the lithium battery, it is a normal that the capacity decreases after repeated use. To maximize the performance of the lithium battery, the ambient temperature during charging is recommended to be 5°C - 40°C. When the ambient temperature exceeds the above temperature range, the charging function of the product may be disabled. When charging is abnormal, please first confirm whether the ambient temperature is within the recommended range.

- When the product is being charged, the battery indicator flashes to show the current battery level (the green light indicates sufficient power, the orange light indicates medium power, and the red light indicates low power).
- When the product is fully charged and the charger is still connected, the battery indicator light is steady green.
- When the charging cable is unplugged, the indicator light goes out.
- When the charger is connected, other functions of the product will be automatically turned off and locked, and cannot be turned on.

PROTECTION AND ERROR PROMPTS

- Low-power protection:** If the battery level is detected to be lower than the set protection value when you use the product, in order to protect the battery from over-discharging, the indicator light will flash for 5 times and then goes out, and the product will automatically shut down.
- Auto shutdown:** If no operation after power on 15 minutes, product will auto off for safety. If need to use again, please power on again.
- Sensor failure:** In the power-on state, when the product is in use, if the setting indicator and battery indicator flash quickly in turn, it indicates that the system detects the temperature sensor failure and the product should be repaired in time.

CLEANING AND MAINTENANCE

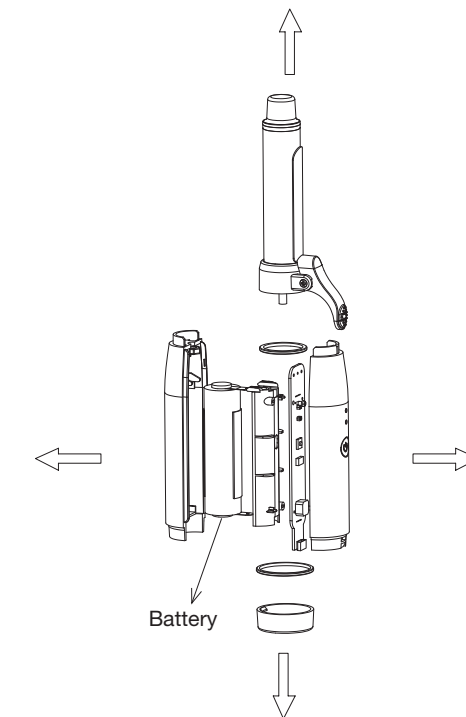
- Please ensure that the product has been cooled before performing cleaning and maintenance.
- Never clean the product in a dishwasher or a washing machine.
- This product is non-watertight. In cleaning process, care must be taken to prevent water or other liquid from entering the product from the gap or interface, otherwise short circuit or failure may be caused.
- Never use sharp tools or any cleaner with corrosive or volatile diluent for cleaning.
- Clean and wipe the product with a soft wet cloth (dipping a small amount of non-irritating, non-volatile and non-flammable detergent) and dry it with a soft dry cloth.

ENVIRONMENTAL PROTECTION

This appliance has a built-in rechargeable battery, and the materials contained in the rechargeable battery may be harmful to the environment. Please remove the battery before discarding the appliance.

- Disconnect the power supply first before disassembling the appliance and removing the battery.
- The battery must be handled safely.
- Do not use other batteries to replace the battery inside the appliance, especially non-rechargeable batteries, which may cause fire or electric shock.
- Do not discard used battery with normal household waste, making sure that the battery is disposed of at official recycling centers or collection points.

Remove the battery as illustrated.



WARNING: Carrying portable electronic devices with built-in lithium or lithium-ion batteries restricted items into the cabin (carry-on/checked baggage) is a violation of Japan's Aviation Law.

STORAGE

When not in use, your appliance is easy to store. Allow appliance to cool, then store out of reach of children in a safe, dry location. Ensure that the appliance is cooled down before placing in the Storage pouch.

LIMITED TWO YEAR WARRANTY

This appliance can be repaired or replaced free of charge for 2 years from the date of purchase if the appliance is defective in workmanship or materials. This warranty is no longer valid in case of alteration or repair by any unauthorised persons. To obtain service under this warranty, please keep the original purchase receipt for warranty service, and you can bring the styler to our

customer service center for repair during the warranty period.

OUT OF GUARANTEE

Call VS Sassoon Service Centre in your region as listed in this Instruction Booklet for details of repair service. Or email to us at email_asia@conair.com with your name, contact telephone number and email address and details of the fault.

For more information, please visit



You can also obtain digital instruction manual by QR code.